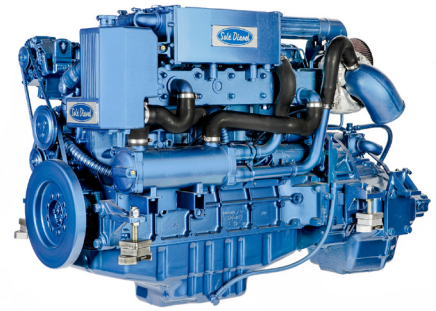




SDZ-280

Inboard Engine Base Deutz

6 cylinders in line 272 HP (200 kW) 2300 rpm

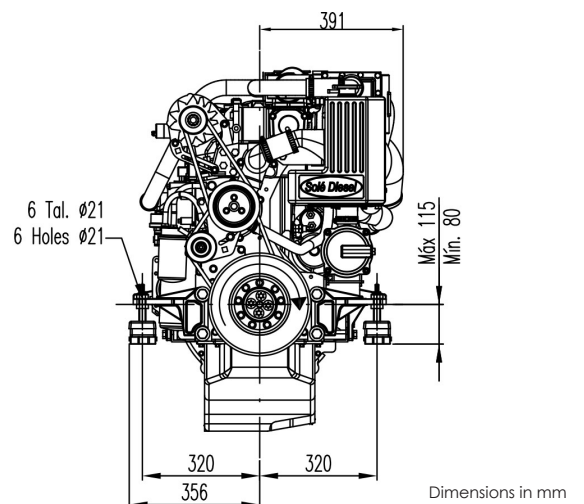
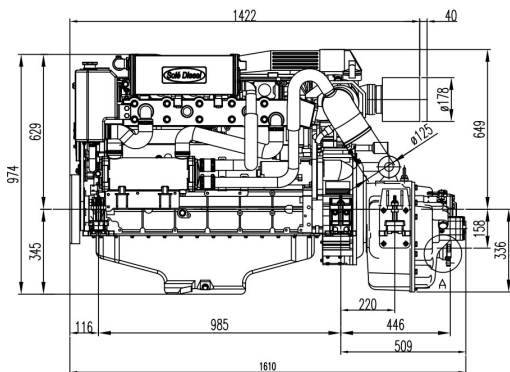


Technical Specifications

Base	Deutz
Type	Diesel 4 Stroke Cycle
Number of Cylinders	6 in line
Intake System	Turbocharger & Intercooler
Bore x Stroke	108 mm x 130 mm (4,25 in x 5,12 in)
Total Displacement	7146 cc
Compression Ratio	17.5:1
Intermittent Power (ISO3046/1)	272 HP (200 kW)
Continuous Power	244.8 HP (180 kW)
Rated RPM	2300
Combustion System	Direct mechanical injection
Starter Motor	24 V (4 kW)
Alternator	55 A 24 V
Engine Max Installation Angle	Max static angle 9° (+ 3° in operation)
Direction of Rotation (Crankshaft)	Anti Clockwise
Cooling System	Sea water cooled heat exchanger
Dry Weight (bobtail)	657 Kg (1448 Lbs)
Water Hose (Inside Diameter)	42 mm (1,65 in)
Fuel Feed Hose (Inside Diameter)	12 mm (0,47 in)
Fuel Return Hose (Inside Diameter)	12 mm (0,47 in)
Exhaust hose (inside Diameter)	125 mm (4,92 in)
Certifications	EU: RCD I (Directive 94/25/EC)

Dimensions

SDZ-280 TM-265

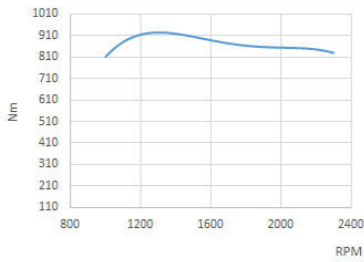


Dimensions in mm

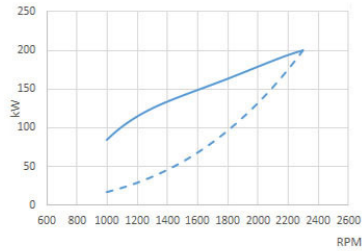


Performance Curves

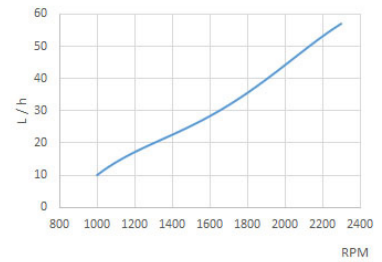
Crankshaft torque



Power (ISO 3046/1)



Fuel Consumption



Engine Power

Propeller Power

Panels

SVT 30 Standard



Tachometer including hour meter

Coolant Temperature Gauge

Pre-heating Pilot Light

Low Battery Alarm

High Temperature Alarm

Low Oil Pressure Alarm

5 Positions Key

Oil Pressure Gauge

Voltmeter

Dimensions: 255 x 160 mm



SVT 40 Doble Panel

Tachometer including hour meter

Pre-heating Pilot Light

Low Battery Alarm

High Temperature Alarm

Low Oil Pressure Alarm

5 Positions Key

Dimensions: 205 x 155 mm

Accessories

Scope of Supply

Packaging

Instrument Panel SVT 30

Extension Harness 4 m

Anti Vibration Mounts

Sump Drain pump

Owner's Manual

Optional Equipment & Kits

Alternative gearboxes to suit your requirements

Gearbox driven Hydraulic Pumps

Front mounted Power Take off and pulleys to drive deck wash pumps and hydraulic pumps

Special Engine Feet to suit existing installation

Engine Installation kits and accessories

Gearbox

Model	Type	Down Angle	Reduction Ratio (Light Duty)	Reduction Ratio (Cont. Duty)	Engine Weight with Gearbox
TM-265	Hydraulic	0°	1.50:1 - 2.09:1 - 2.82:1	1.50:1 - 2.09:1 - 2.82:1	841 Kg (1854 Lbs)
TM-265A	Hydraulic	7°	1.50:1 - 2.09:1 - 2.30:1	-	841 Kg (1854 Lbs)
TM-880A	Hydraulic	10°	1.53:1 - 2.08:1	-	740 Kg (1631 Lbs)

Authorised Distributor



Engines Plus Ltd
Tel – 01452 729707
E-mail – sales@enginesplus.co.uk
Website – www.sole-diesel.co.uk



solediesel.com - sales@enginesplus.co.uk

Detailed drawings, brochures and manuals are available on the web. © 2017, Sole Diesel. All rights reserved. Technical specifications, data and presentation are subjected to variations, changes and updates without prior notice, and without any obligation or liability whatsoever. Text and illustrations are not binding.

